
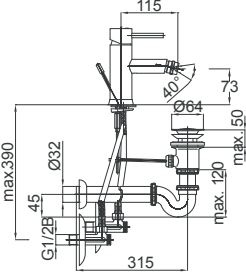
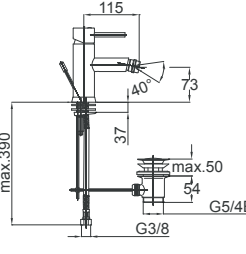
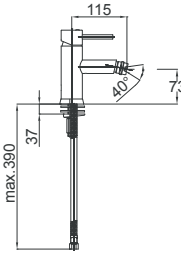
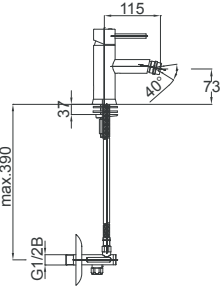

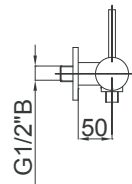

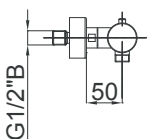

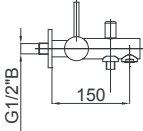
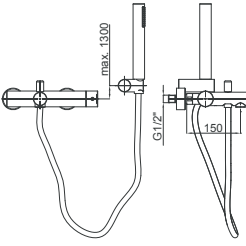

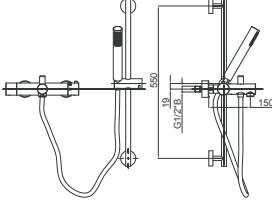
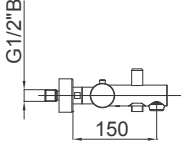


Fresh Sanitary Armatures

	 <p>UH00535 chromium; upper part of siphon, siphon, angle-body valves</p>	 <p>UH00536 chromium; upper part of siphon</p>	 <p>UH00537 chromium</p>
	 <p>UH00538 chromium; angle-body valves</p>		
	 <p>UH00434 chromium</p>		
	 <p>UH00440 chromium</p>		

	 <p>UH00334 chromium</p>	 <p>UH00337 chromium; wall holder, shower tube, shower head</p>	
	 <p>UH00336 chromium; shower tube, tube holder bracket, shower head</p>	 <p>UH00339 chromium</p>	

Built-in Material

Housing:	brass acc. to EN 1982, nickel-/chromium-plated
Cartridge:	EU ceramic cartridge, KTW
Handle:	Zamak 0410, chromium-plated
Connecting pipe:	2 flexible connecting pipe, G3/8 "
Mounting hole:	Ø 35 mm diameter

Specification

Recommended pressure range:	3 to 5 bar
Maximum pressure:	up to 8 bar
Minimum pressure:	over 0.5 bar
Recommended temperature range:	5°C - 65°C
Maximum temperature:	80°C
Flow at 3 bar operating pressure:	<ul style="list-style-type: none"> • mixer battery for washing basin appr. 15 l/min • mixer battery for bath tub appr. 20 l/min
Noise class:	<ul style="list-style-type: none"> • mixer battery for washing basin class II • mixer battery for bathtub class II

Mounting And Maintenance

Flush all water feeding tubes thoroughly before installation.

Connect the sanitary armature to the water supply outlets by means of flexible tubes. Unscrew the perlator obligatorily and connect the sanitary armature in the fully open position. Open the water valves slowly and move the armature handle to all positions. A longer lasting flushing of the armature is warmly recommended after mounting so as to remove possible impurities. Any repairs shall be performed by adequately skilled personnel only.

With operating pressures over 5 bar, a pressure reducing valve shall always be fitted to the water supply tube.