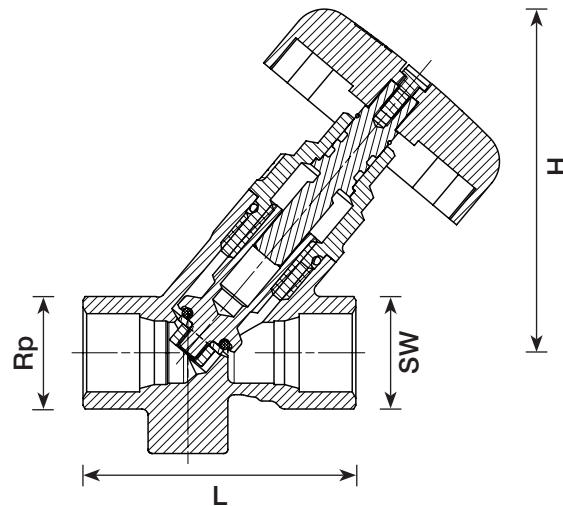


HERZ STRÖMAX 4125

Inclined Shut-off Valve With Non-Rising Spindle

Data sheet for 4125, Issue 0416

☑ Dimensions in mm



Order number	Order number	Rp	L [mm]	H [mm]	Hexagon Key [mm]	Octagon Key [mm]
1 4125 61	1 4125 71	½"	65	86	27	-
1 4125 62	1 4125 72	¾"	75	92	32	-
1 4125 63	1 4125 73	1"	90	105	41	-
1 4125 64	1 4125 74	1 ¼"	110	118	-	50
1 4125 65	1 4125 75	1 ½"	120	127	-	55
1 4125 66	1 4125 76	2"	150	155	-	70
1 4125 67	1 4125 77	2 ½"	180	205	-	85
1 4125 68	1 4125 78	3"	210	226	-	100

☑ Model

4125 D	DN 15-80	STRÖMAX-D shut-off valve, inclined model, brass version, socket x socket, with long threaded sockets, non-rising spindle, spindle sealing by means of elastic double-O-ring.
4125 AD	DN 15-80	STRÖMAX-D shut-off valve, inclined model, same as 4125 D , however with 2 bores for draining fittings, 1 screw plug 272 installed. Drain cocks must be ordered separately.

☑ Field of application

Reliable shutting of pipes in heating and cooling systems.

☑ Technical Data

Max. operation temperature:	110°C
Max. operation pressure:	20 bar
Max. differential pressure on closed seat:	10 bar

Heating water according ÖNORM H5195 or VDI- Standard 2035. The use of ethylene- or propylene glycol in a mixing ratio 25- 50% is allowed. EPDM gaskets can be affected by mineral oils lubricants and thus lead to failure of the EPDM seals. Please refer to manufacturer's documentation when using ethylene glycol products for frost and corrosion protection.

☑ Materials

Body:	casted DZR brass CC752S
Upper part:	DZR brass CW602N
Cone:	DZR brass CW602N
Spindle	brass CW617N
Sealing:	EPDM
Hand wheel:	Polyamide

☑ Construction

Handwheel closed clockwise

Flow Direction

The direction of flow must be observed in accordance with the arrow on the housing.

Mounting Position

There are no special tools required. Every mounting position possible.

☑ Draining

DN 15 – DN 50:	2 bore holes for draining 1/4
DN 65 – DN 80:	2 bore holes for draining 3/8
1 0276 0x	Drain Valve with handle and swivel hose connection, brass version. Hose connection 1 6206 01 have to be ordered separately.



1 **0276** 0x

☑ Further models

1 4115 0x	DN 15-80	STRÖMAX , shut-off valves with rising spindle
1 4115 1x	DN 15-80	STRÖMAX-A , shut-off valves with rising spindle, with two bore holes for draining fittings

☑ Further models

1 0276 09	1/4	Drain valve with swivel hose connection G 3/4,
1 0276 00	3/8	Drain valve with swivel hose connection G 3/4,
1 0273 09	1/4	Screw plug, brass version, with O-Ring seal and hexagon socket screw
1 0273 00	3/8	Screw plug, brass version, with O-Ring seal and hexagon socket screw.
1 6206 00	3/8	Hose Connection, brass version, nut and hose sleeve.
1 6206 01	1/2	Hose Connection, brass version, nut and hose sleeve.
1 6206 02	3/4	Hose Connection, brass version, nut and hose sleeve.
1 6389 01	DN 15	Upper part, with O-ring seal between cap and body, with non-rising spindle
1 6389 02	DN 20	Upper part, with O-ring seal between cap and body, with non-rising spindle
1 6389 03	DN 25	Upper part, with O-ring seal between cap and body, with non-rising spindle
1 6389 04	DN 32	Upper part, with O-ring seal between cap and body, with non-rising spindle
1 6389 05	DN 40	Upper part, with O-ring seal between cap and body, with non-rising spindle
1 6389 06	DN 50	Upper part, with O-ring seal between cap and body, with non-rising spindle
1 6389 07	DN 65	Upper part, with O-ring seal between cap and body, with non-rising spindle
1 6389 08	DN 80	Upper part, with O-ring seal between cap and body, with non-rising spindle
1 6517 00	DN15 - DN50	Hand wheel until 2011, red, with fixing screw
1 6517 02	DN 65 - DN80	Hand wheel until 2011, red, with fixing screw

HERZ standard diagram	4125
Order Nr.: 1 4125 6X/7X	Dim. DN15 - DN80

Char.	Dim.	k_{vs}	ζ -Value	Char.	Dim.	k_{vs}	ζ -Value
1	3/8"	3	4	6	1 1/2"	44	2.5
2	1/2"	4	6.7	7	2"	87	1.6
3	3/4"	10.5	3.1	8	2 1/2"	112	2.8
4	1"	18	2.7	9	3"	175	2.2
5	1 1/4"	32.5	2.5				

