



HERZ

ball valves for underfloor heating systems

- ☑ nut connector with O-ring
- ☑ easy maintenance
- ☑ reliable function
- ☑ easy to install and use
- ☑ compatible with HERZ regulation products
- ☑ aluminium T - handle
- ☑ available with red or blue T - handle



HERZ d.o.o.

Grmaška cesta 3, 1275 Šmartno pri Litiji

Tel.: +386 (01) 896 21 02

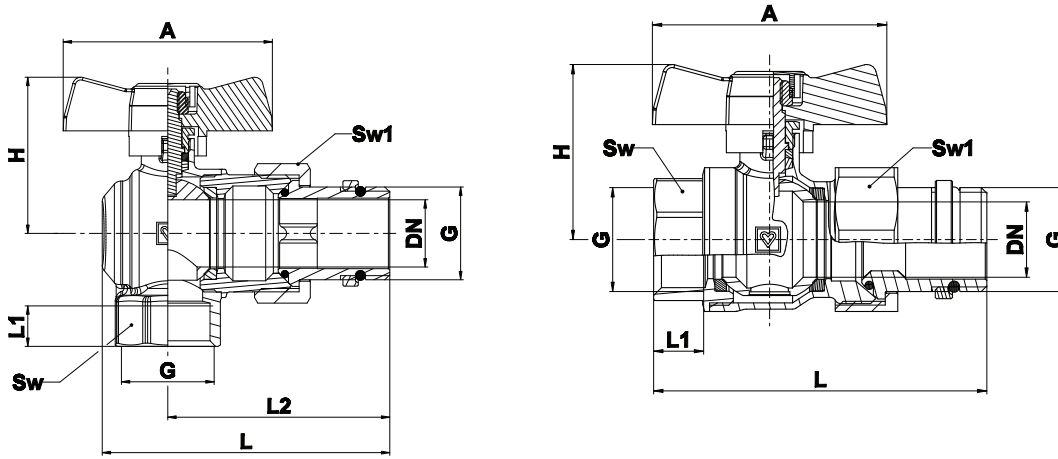
Fax: +386 (01) 896 21 40

www.herz.si



HERZ - ball valves for underfloor heating systems

☑ Dimensions



1 2224 03 (13)

1 2205 13 (23)

Art.	DN	Handle	PN [bar]	G ISO228	L [mm]	L1 [mm]	L2 [mm]	A [mm]	H [mm]	Sw [mm]	Sw1 [mm]	Weight [kg]
1 2224 03	25	red	25	G1"	103	14,5	79,5	75	56	38	46	0,77
1 2224 13	25	blue	25	G1"	103	14,5	79,5	75	56	38	46	0,77
1 2205 13	25	red	25	G1"	106	16	/	75	56	39	46	0,68
1 2205 23	25	blue	25	G1"	106	16	/	75	56	39	46	0,68

☑ Field of application

HERZ ball valves for underfloor heating systems have to be used as shut off elements. They are most commonly used in underfloor heating systems. If the inlet and outlet connections are positioned on the bottom side of the HERZ heat distribution box (1 9412 XX) and the connections have to be diverted directly to the underfloor manifold use angled ball valve (1 2224 X3). If the inlet and outlet connections are positioned on the side of the HERZ heat distribution box (1 9412 XX) and the connections do not have to be diverted directly to the underfloor manifold use straight ball valve (1 2205 X3). HERZ ball valves for underfloor heating systems have integrated sealing on the thread (O-ring) which allows simple installation directly on the underfloor manifold housing (without using additional sealing material – Teflon ribbon...). Ball valves are available with red and blue handle. Usage of the red handle on inlet connection and ball valve with blue handle allows easier recognition of the flow direction in the system.

☑ Material and construction

Body:	forged brass acc. to EN 12165, nickel plated, CW617N
Ball:	forged brass acc. to EN 12165, hollow, hard chrome plated, CW617N
Spindle:	machined brass acc. to EN 12164, nickel plated, CW614N
Sealing nut:	machined brass acc. to EN 12164, CW614N
Handles:	Aluminium alloy: short, red (RAL 3020) Aluminium alloy: short, blue (RAL 5017)
Ball seals:	PTFE
Spindle seals:	PTFE
Connection seals:	EPDM

☑ Operating data

Max. operating pressure:	PN 25 bar
Min. temperature:	-30°C (water 0,5 °C)
Max. temperature:	150°C (water up to 110 °C - no steam)