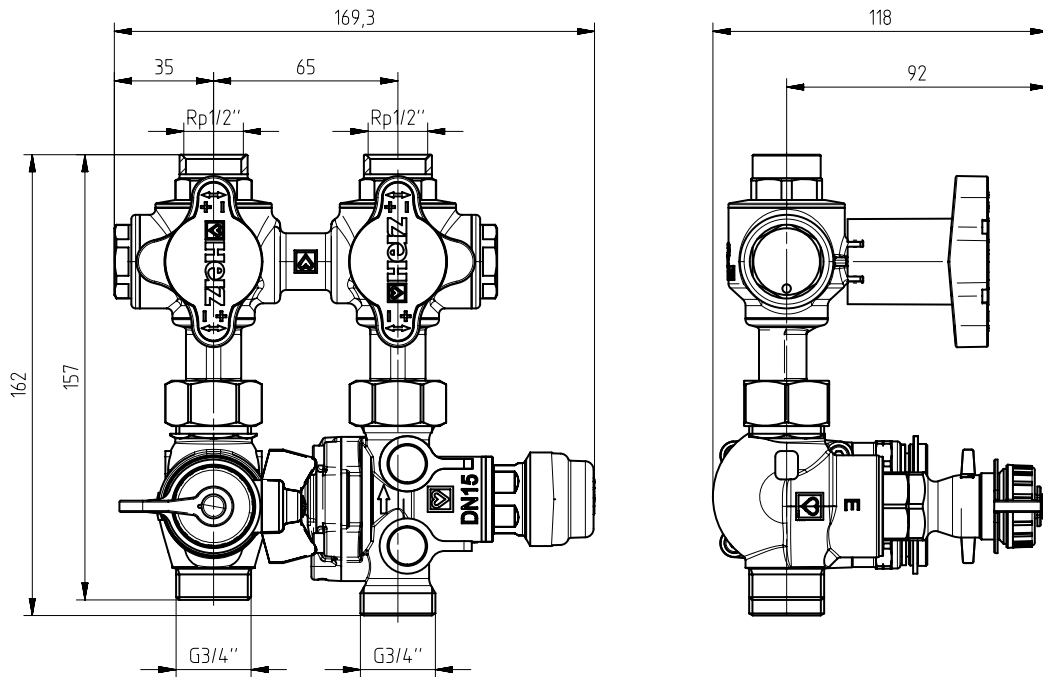


# HerzCON. Fan-coils and terminal units connection

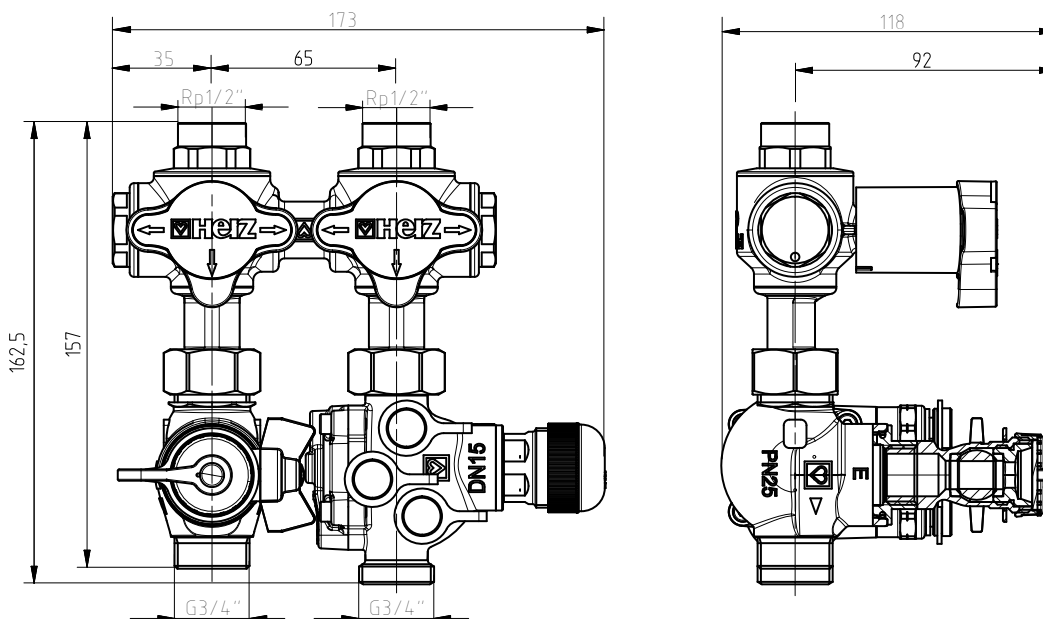
Data sheet HerzCON, Issue 0921

Dimensions in mm

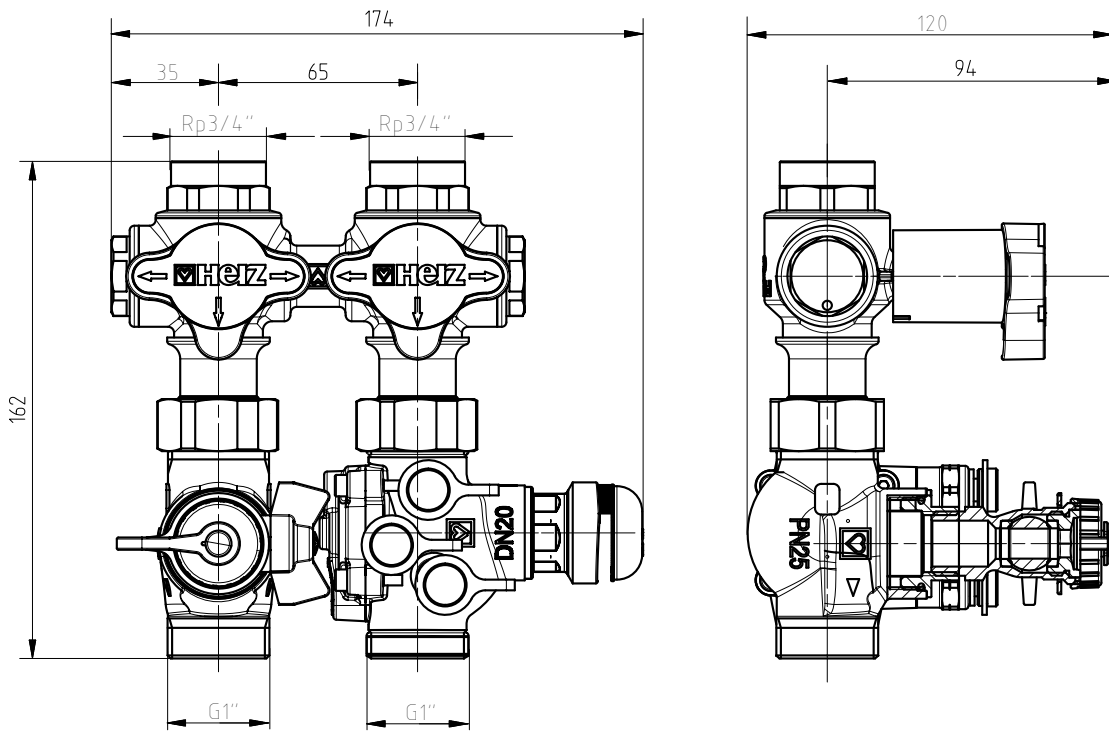
- DN 15



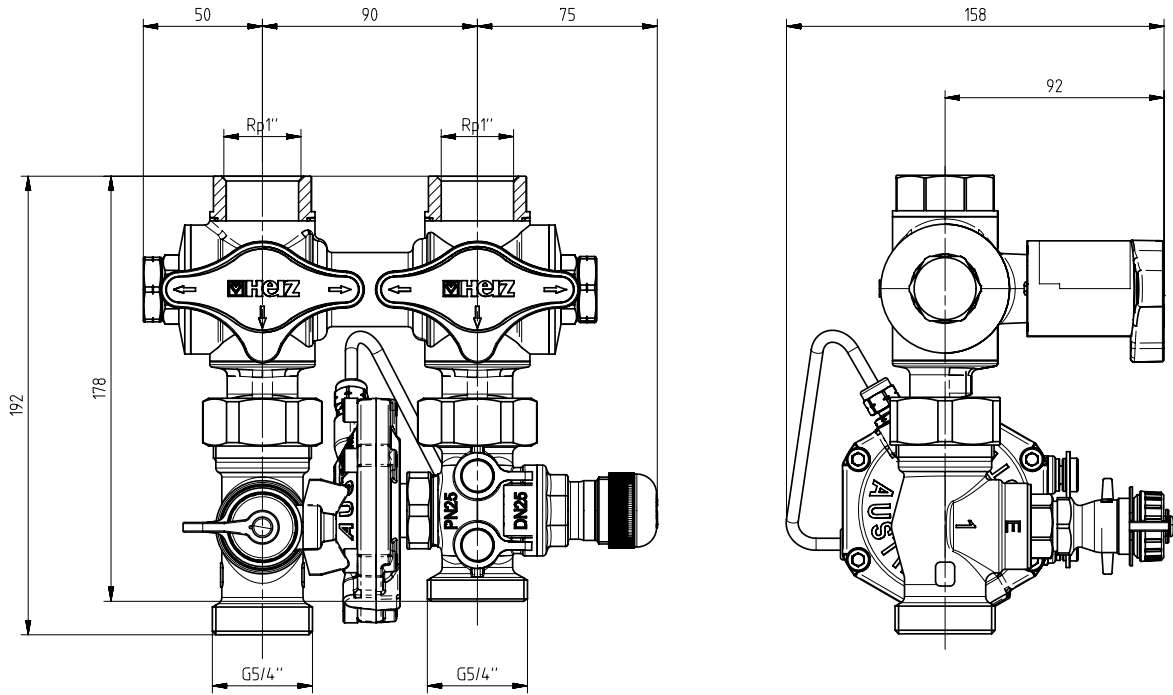
- DN 15SF, HF



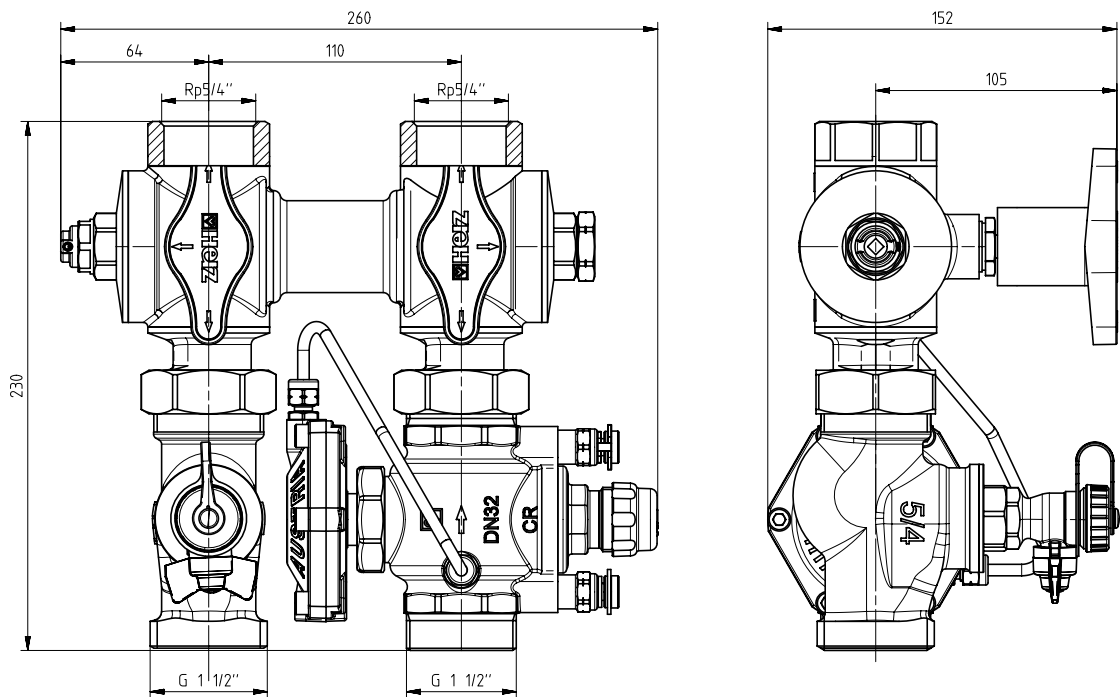
- DN 20SF, HF



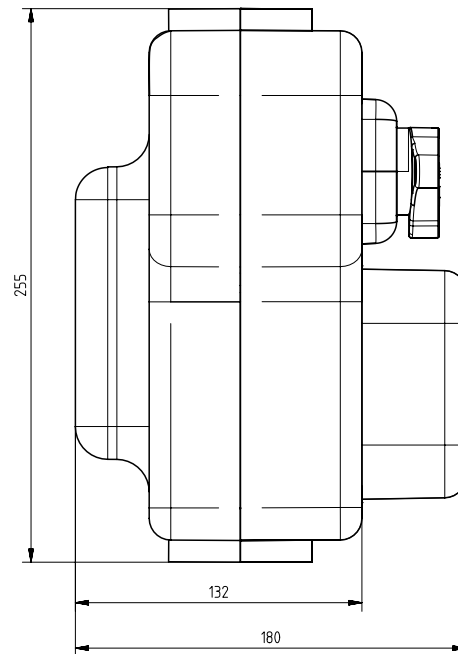
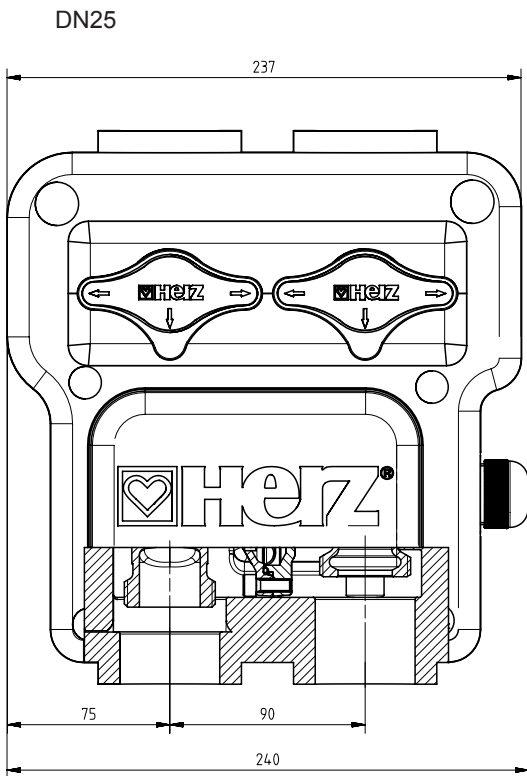
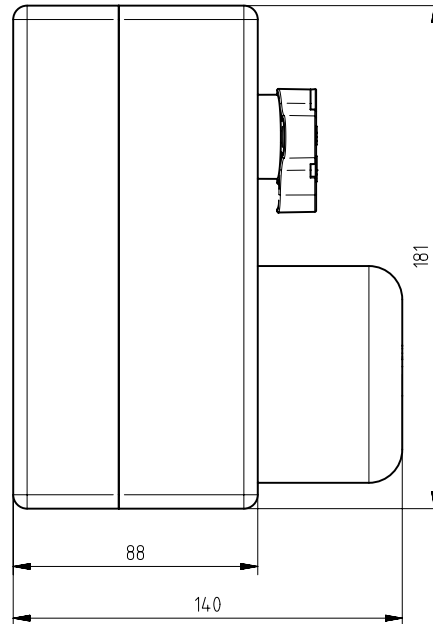
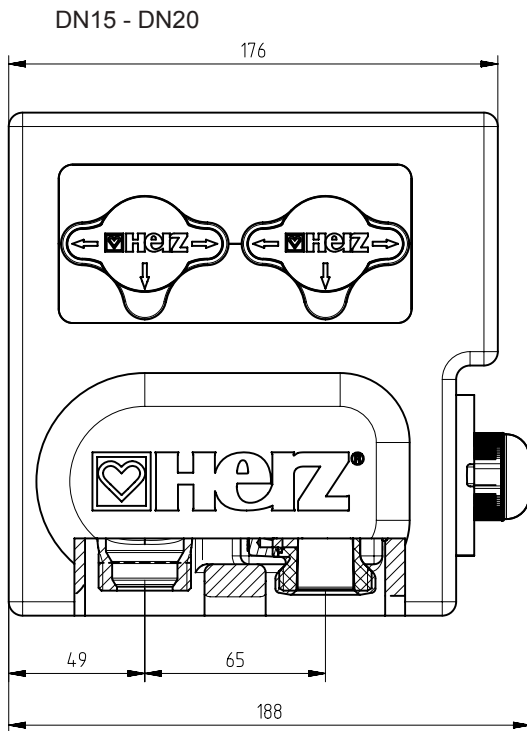
- DN 25



- DN 32



☑ Dimensions in mm of the insulation box



DN32 - supplied without insulation box.

**Order numbers**

	With standard insulation box	With FR <sup>1</sup> insulation box	Only standard insulation box	Only FR <sup>1</sup> box	Without insulation
<b>DN15 LF</b>	1 4600 50	1 4700 60	1 4700 96	1 4700 91	1 4600 90
<b>DN15 MF</b>	1 4600 59	1 4700 69	1 4700 96	1 4700 91	1 4600 99
<b>DN15 SF</b>	1 4600 76	-	1 4700 96	1 4700 91	-
<b>DN15 HF</b>	1 4600 56	-	1 4700 96	1 4700 91	-
<b>DN20 SF</b>	1 4600 77	-	1 4700 96	1 4700 91	-
<b>DN20 HF</b>	1 4600 57	-	1 4700 96	1 4700 91	-
<b>DN25</b>	1 4600 58	1 4700 63	1 4700 98	1 4700 93	1 4600 53
<b>DN32</b>	-	-	-	-	1 4600 54

<sup>1</sup>-“FR” stands for higher degree of fire resistance, compared to standard insulation box.

 **Technical data**

Max. operating pressure	25 bar
Min. operating temperature	- 20 °C
Max. operating temperature	130 °C
Lift	4 mm

The integrated control unit together with the actuating drive is responsible for modular control. Various actuating drives might be used (see also chapter: Accessories and spare parts).

Water purity in accordance with the ÖNORM H 5195 and VDI 2035 standards

Ethylene and propylene glycol can be mixed to a ratio of 25 - 50 vol. [%].

EPDM gaskets can be affected by Mineral oils lubricants and thus lead to failure of the EPDM seals. Please refer to manufacturers documentation when using ethylene glycol products for frost and corrosion protection.

 **Materials**

Body: dezincification-resistant brass  
 Membranes and O-rings: EPDM

Pursuant to Article 33 of the REACH Regulation (EC No. 1907/2006), we are obliged to point out that the material lead is listed on the SVHC list and that all brass components manufactured in our products exceed 0.1% (w / w) lead (CAS: 7439-92-1 / EINECS: 231-100-4). Since lead is a component part of an alloy, actual exposure is not possible and therefore no additional information on safe use is necessary.

 **kvs values and max. differential pressure**

	Normal Function [m³/h]	Bypass Function [m³/h]	Flow rate [l/h] @100% presetting	Flow rate [l/s] @100% presetting	max. Δp, bar
<b>DN 15 LF</b>	0,20	4,8	120	0,033	4
<b>DN 15 MF</b>	0,34	4,8	190	0,053	4
<b>DN 15 SF</b>	1,65	4,8	800	0,222	6
<b>DN 15 HF</b>	2,54	4,8	1200	0,333	6
<b>DN 20 SF</b>	2,46	5,4	1200	0,333	6
<b>DN 20 HF</b>	3,33	5,4	2000	0,556	6
<b>DN 25</b>	2,75	10	1900	0,528	4
<b>DN 32</b>	4,57	14,2	2500	0,694	4

 **Application**

HerzCON has been designed to give a simple connection to fan-coils, or other terminal units, and utilises the HERZ 4006 SMART Pressure Independent Balancing Control Valve with HERZ multifunctional ball valve and a HERZ strainer with HERZ drain valve 2512. On/off or modulating 0 – 10 V DC actuators can be fitted and integrated to a BMS if required.

The unit allows pressure independent control ensuring full stroke regardless of pressure fluctuations, while guaranteeing a constant flow rate to the terminal unit maximising energy efficiency for the system. The HerzCON unit also permits flushing and isolating operations to be undertaken.

This means there is no product differentiation between heating and chilled, one unit does both applications. The drain cock fitted to the strainer allows flushing without the need to remove the strainer basket and also allows the strainer basket to be cleaned in-situ.

### ☑ Components

- 4006**      HERZ-Pressure Independent Balancing Control Valve (PIBCV)  
HERZ- Multifunctionalball valve
- 2512**      HERZ-Strainer  
HERZ-Blow down Drain Valve

### ☑ Accessories and spare parts

- 1 **4006** .. HERZ-Pressure Independent Balancing Control Valve (PIBCV)
- 1 **0284** .. test point for HERZ-Valves
- 1 **7708** .. HERZ actuating drive for two-point
- 1 **7711** .. HERZ actuating drive for two-point or pulse control
- 1 **7990** .. HERZ actuating drive for continuous control
- 1 **0273** 09 screw plug 1/4
- 1 **4111** 21 Strainer DN15
- 1 **4111** 22 Strainer DN20
- 1 **4111** 23 Strainer DN25
- 1 **4111** 24 Strainer DN32

### ☑ Note

The HerzCON must be installed for the correct application using clean fittings. A HERZ strainer is fitted to prevent impurities.

### ☑ Presetting

The valve setting is clearly shown in percent. The preset value can be easily adjusted. The preset PIBCV can be isolated at any time or adjusted to the required flow rate.

### ☑ Fire Behavior (insulation box)

Type of insulation Method	Standard [Class]	FR <sup>1</sup> [Class]
DIN EN ISO 11925-2	E	B, C, D
DIN 4102-1	B2	B1
FMVSS 302	Fulfilled	Fulfilled
UL 94	HBF	HF1

<sup>1</sup>-“FR” stands for higher degree of fire resistance, compared to standard insulation box.

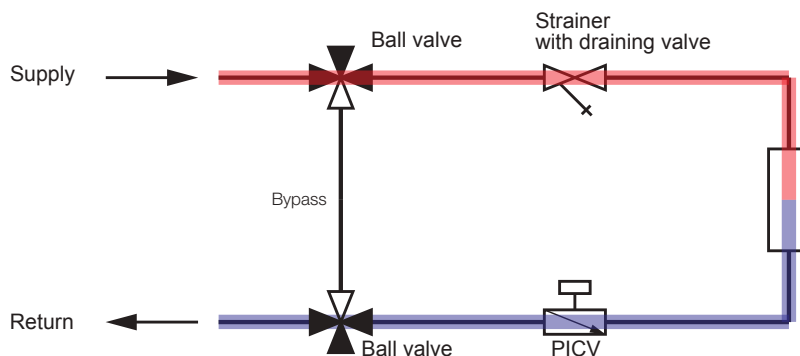
### ☑ Disposal instruction

The disposal of HerzCON must not endanger the health or the environment. National legal regulations for proper disposal of the HerzCON have to be followed.

### ☑ Operations

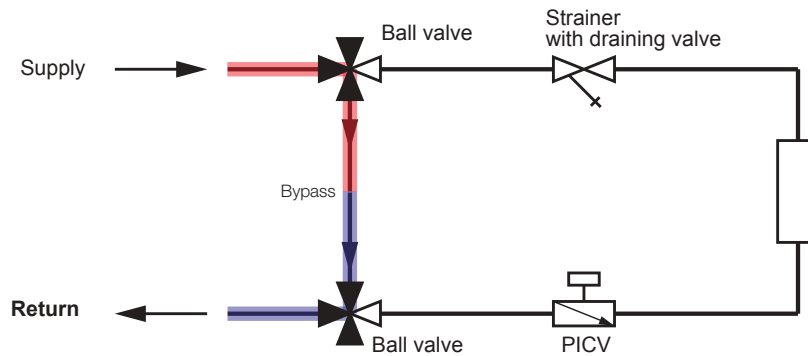
#### Normal Operation

For normal operation the Bypass is closed, Strainer Drain Valve is closed, Ball valves are in the position as showed in the scheme, PIBCV preset to flow rate.



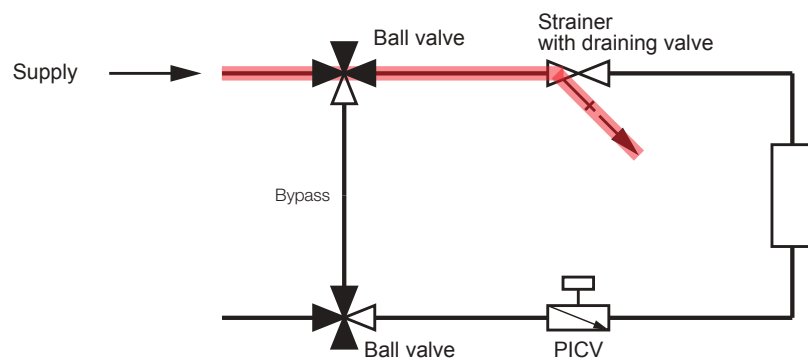
### Bypass Operation

For the normal flushing method the Bypass is open, PIBCV is closed, Strainer Drain Valve closed, Ball valves are in the position as showed in the scheme.



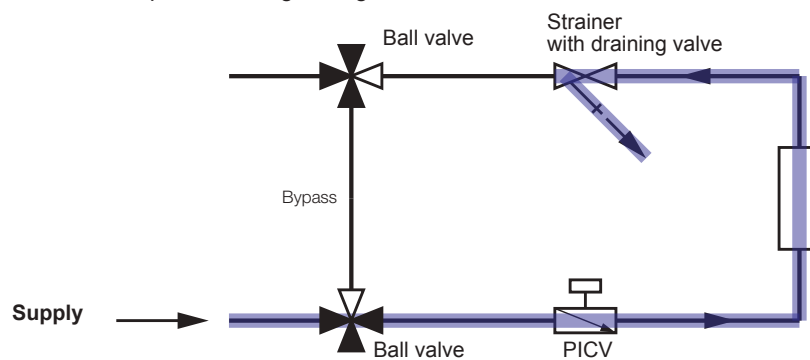
### Forward flush Operation

For forward flushing operation the Bypass is closed, Ball valve in the supply is open, Strainer Drain Valve is open, Ball valves are in the position as showed in the scheme and flushing through the strainer to atmosphere.



### Backflush Operation

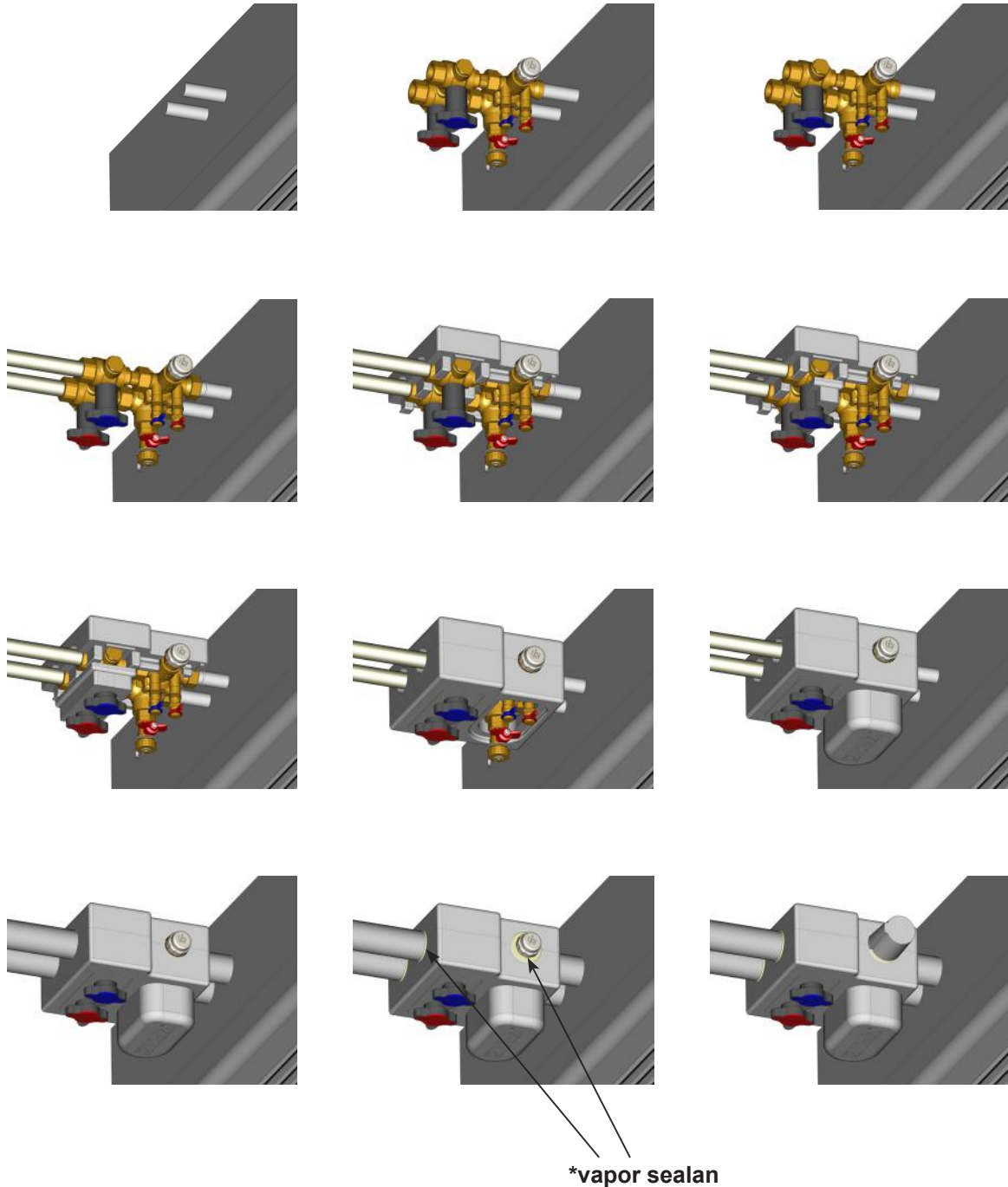
For Backflush operation the Bypass is closed, Strainer Drain Valve is open, Ball valves are in the position as showed in the scheme and PIBCV is open. Flushing through Ball valve, PIBCV, FCU and strainer to atmosphere.



**Installation**

The unit is supplied in an insulated box, totally vapour sealed for chilled water circuits.

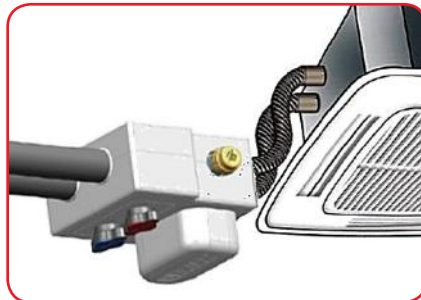
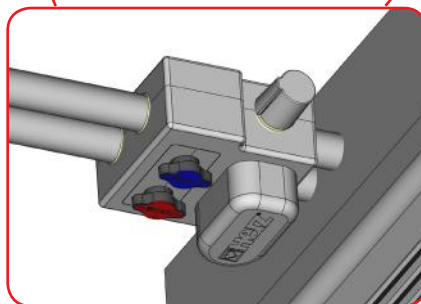
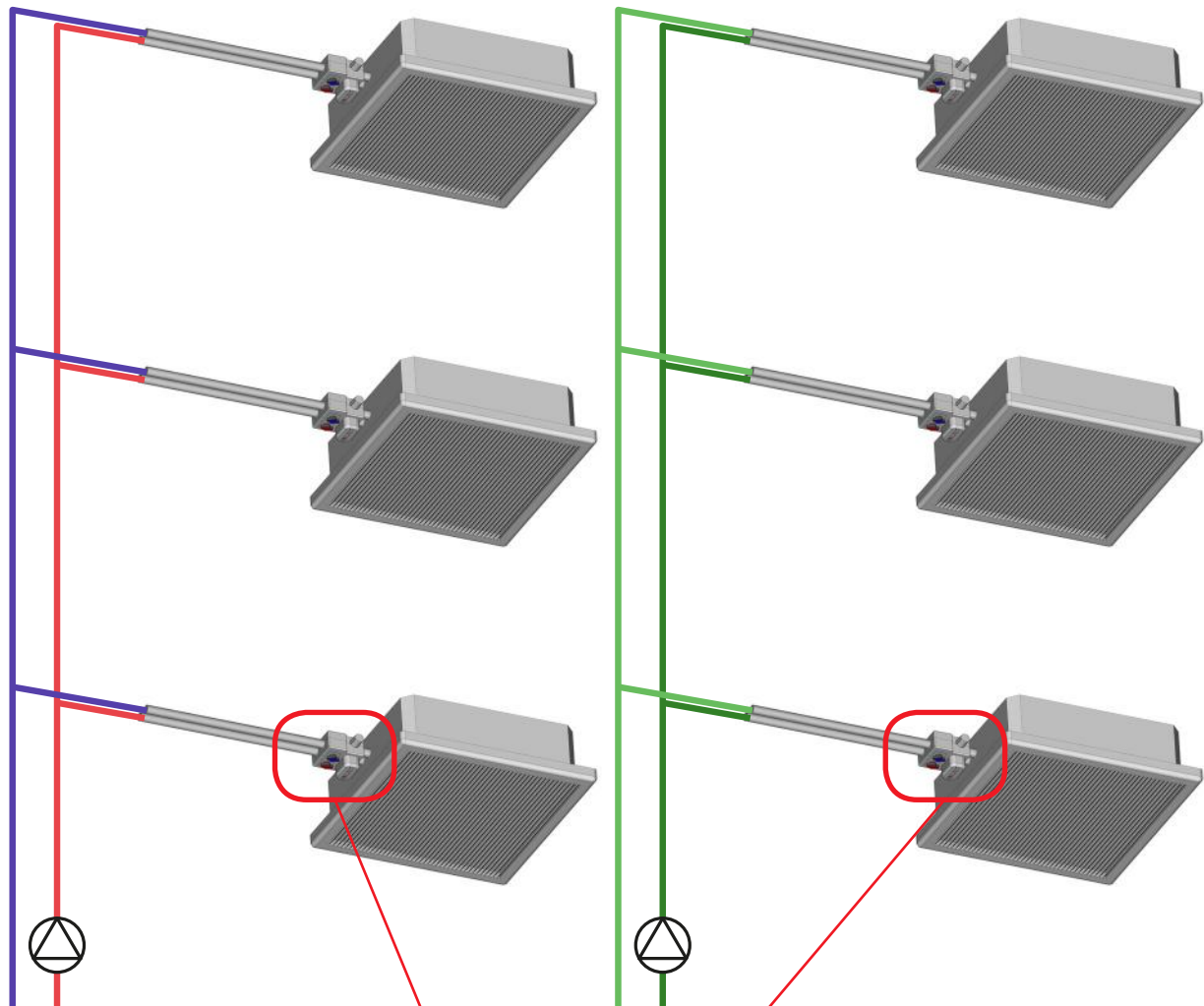
Install the Insulation box, as shown in the following figures.

**Note !**

The unit is supplied in an insulated box, vapor sealed for chilled water circuits. Although it is necessary to ensure an additional vapor sealant for pipes and actuator connections, as shown at the picture above. \*



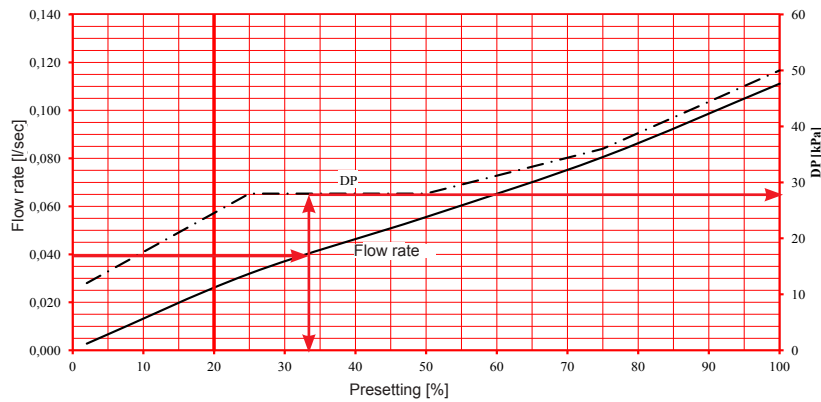
Example for Installation



Application example for heating and cooling

**Presetting example**

To select the correct setting and the required minimum differential pressure at the desired flow rate, follow the steps shown in the diagram. The setting % for a specified flowrate shown on the left of the chart can be read from the solid line and the minimum DP for that particular setting can be read from the dotted line and the corresponding DP on the right side of the chart.



**Functional principle of a PICV combination valve**

A Pressure Independent Balancing and Control Valve (PBCV or PICV) combines a regulating and control valve with a differential pressure controller.

**Balancing and control valve**

The valve has a linear characteristic. The adjustment of the required flow volume is done at the valve spindle, where the maximum stroke is adjusted. Settings between 20 % and 80 % of the nominal flow are recommended. The adjustment of the maximum stroke allows actuators with stroke detection to utilise their full control bandwidth (e.g. 0-10 V).

**Differential pressure controller**

The differential pressure controller keeps the differential pressure constant across the balancing and control valve. As the valve is independent from the system differential pressure, the preset flow volume will remain constant at all times despite any change in the system conditions..

**Test points**

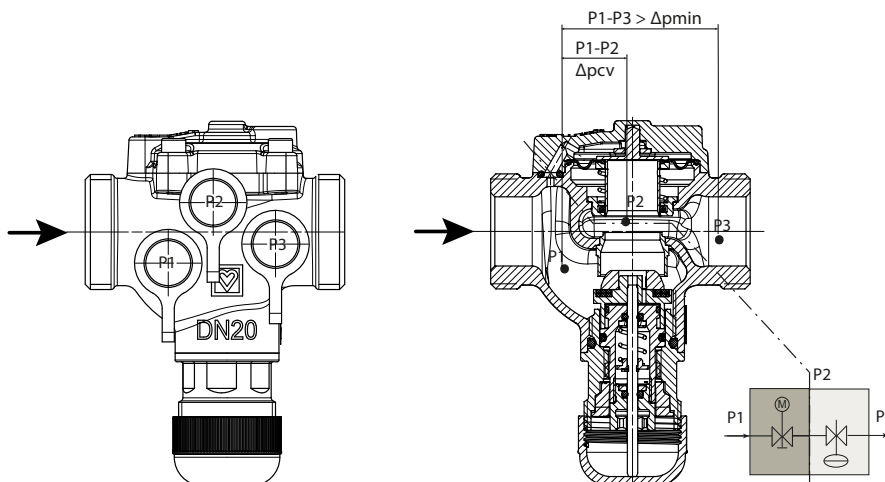
Every PICV has at least 2 test points to enable the setting of the valve and the minimum differential pressure to be checked. The valve requires a minimum differential pressure in order to operate correctly.

The dimensions DN15SF, DN15HF, DN20SF and DN20HF have an additional test point P2, in total 3 test points P1, P2 and P3.

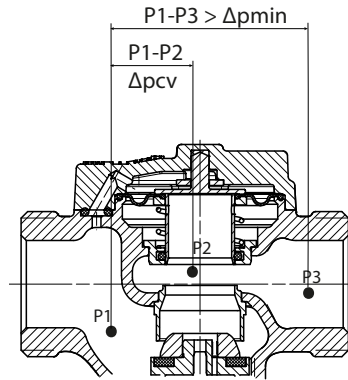
Measuring across P1-P3 will determine the minimum differential pressure that the valve requires to operate correctly.

Measuring across P1-P2 determines the differential pressure required to calculate the valve flow volume from the kv values (shown in the table) for each % preset position.

The differential pressure can be checked with the HERZ measuring computer 1 8900 05.



$k_v$ - values of the control valve in the PIBCV (quick test point P1 - P2)

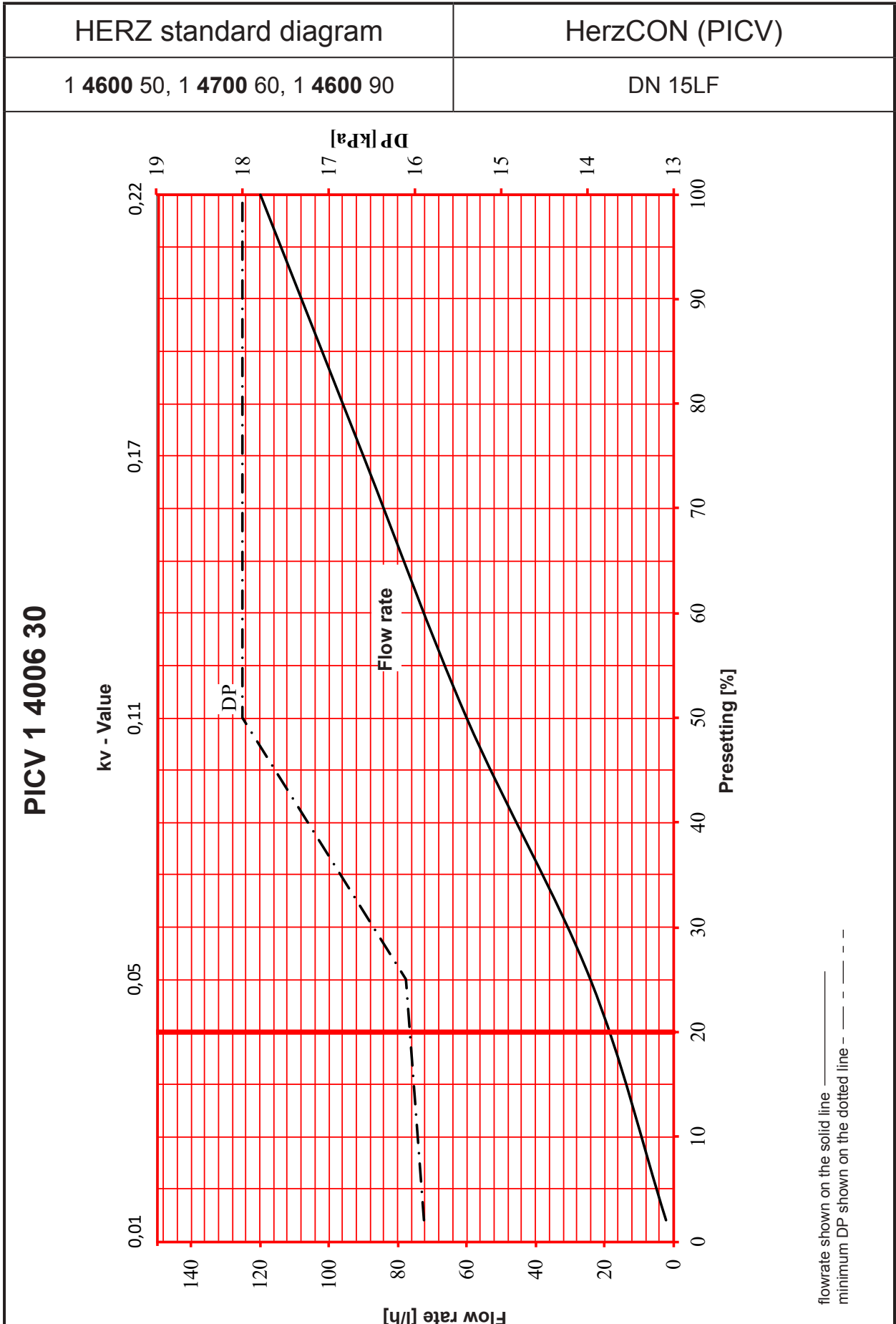


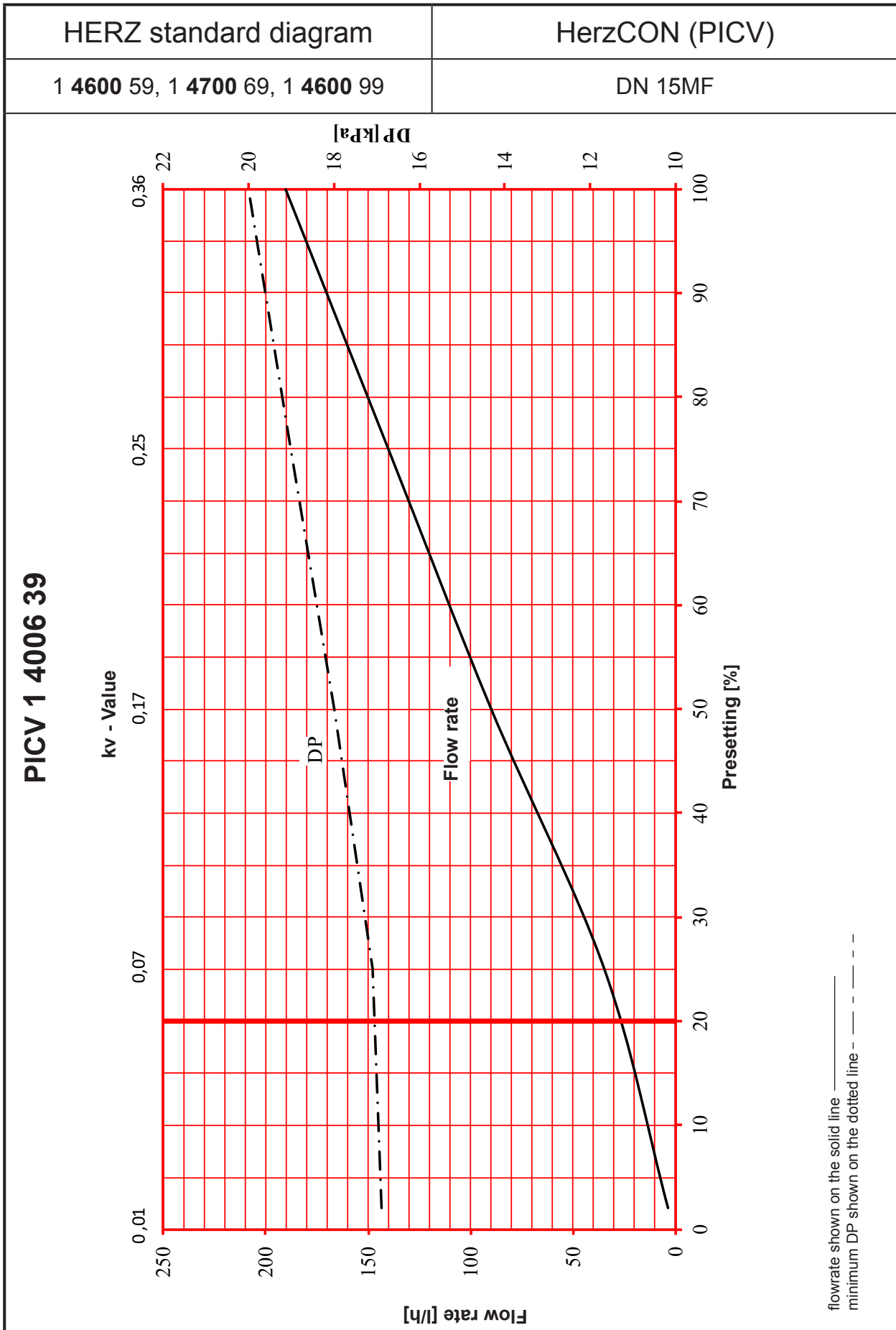
Presetting	DN 15 SF	DN 15 HF	DN 20 SF	DN 20 HF
[%]	[m <sup>3</sup> /h]	[m <sup>3</sup> /h]	[m <sup>3</sup> /h]	[m <sup>3</sup> /h]
20	0,352	0,530	0,548	0,983
21	0,370	0,557	0,579	1,040
22	0,389	0,585	0,611	1,097
23	0,407	0,613	0,643	1,154
24	0,425	0,641	0,674	1,211
25	0,443	0,669	0,706	1,268
26	0,462	0,697	0,738	1,325
27	0,480	0,724	0,769	1,382
28	0,498	0,752	0,801	1,439
29	0,517	0,780	0,832	1,496
30	0,535	0,808	0,864	1,553
31	0,554	0,837	0,898	1,616
32	0,573	0,867	0,932	1,679
33	0,592	0,896	0,965	1,742
34	0,610	0,926	0,999	1,805
35	0,629	0,955	1,033	1,867
36	0,648	0,985	1,067	1,930
37	0,667	1,014	1,100	1,993
38	0,686	1,044	1,134	2,056
39	0,705	1,073	1,168	2,119
40	0,724	1,103	1,202	2,182
41	0,742	1,142	1,238	2,246
42	0,760	1,181	1,274	2,311
43	0,778	1,220	1,310	2,376
44	0,796	1,260	1,347	2,441
45	0,814	1,299	1,383	2,506
46	0,833	1,338	1,419	2,571
47	0,851	1,377	1,455	2,636
48	0,869	1,417	1,492	2,700
49	0,887	1,456	1,528	2,765
50	0,905	1,495	1,564	2,830
51	0,924	1,531	1,598	2,893
52	0,942	1,566	1,632	2,957
53	0,961	1,602	1,665	3,020
54	0,979	1,637	1,699	3,083

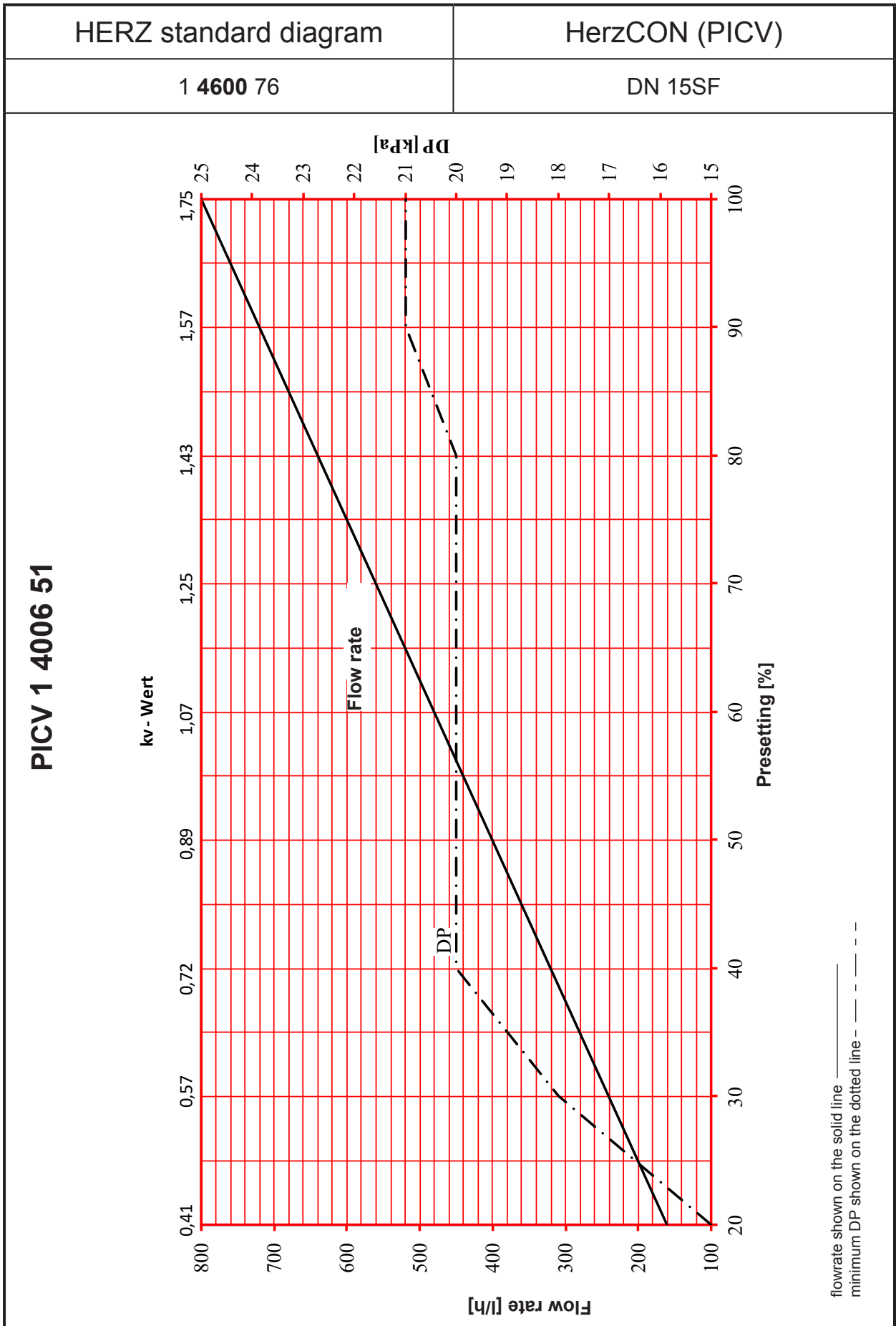
55	0,998	1,672	1,733	3,146
56	1,016	1,708	1,767	3,210
57	1,035	1,743	1,800	3,273
58	1,053	1,779	1,834	3,336
59	1,072	1,814	1,868	3,399
60	1,090	1,850	1,902	3,463
61	1,112	1,883	1,937	3,536
62	1,134	1,915	1,972	3,609
63	1,156	1,948	2,007	3,683
64	1,178	1,980	2,042	3,756
65	1,199	2,013	2,077	3,829
66	1,221	2,046	2,113	3,903
67	1,243	2,078	2,148	3,976
68	1,265	2,111	2,183	4,050
69	1,286	2,144	2,218	4,123
70	1,308	2,176	2,253	4,196
71	1,332	2,212	2,292	4,271
72	1,355	2,248	2,331	4,346
73	1,379	2,284	2,369	4,421
74	1,402	2,320	2,408	4,496
75	1,425	2,356	2,447	4,571
76	1,449	2,392	2,485	4,646
77	1,472	2,428	2,524	4,721
78	1,496	2,464	2,562	4,796
79	1,519	2,500	2,601	4,871
80	1,543	2,536	2,640	4,946
81	1,568	2,574	2,683	4,990
82	1,594	2,612	2,726	5,035
83	1,620	2,651	2,769	5,080
84	1,646	2,689	2,812	5,125
85	1,672	2,728	2,855	5,169
86	1,698	2,766	2,898	5,214
87	1,723	2,804	2,941	5,259
88	1,749	2,843	2,985	5,304
89	1,775	2,881	3,028	5,348
90	1,801	2,919	3,071	5,393
91	1,824	2,963	3,106	5,538
92	1,847	3,007	3,142	5,682
93	1,871	3,050	3,177	5,827
94	1,894	3,094	3,213	5,971
95	1,917	3,138	3,248	6,116
96	1,940	3,181	3,284	6,261
97	1,963	3,225	3,319	6,405
98	1,987	3,269	3,355	6,550
99	2,010	3,312	3,390	6,694
100	2,033	3,356	3,426	6,839

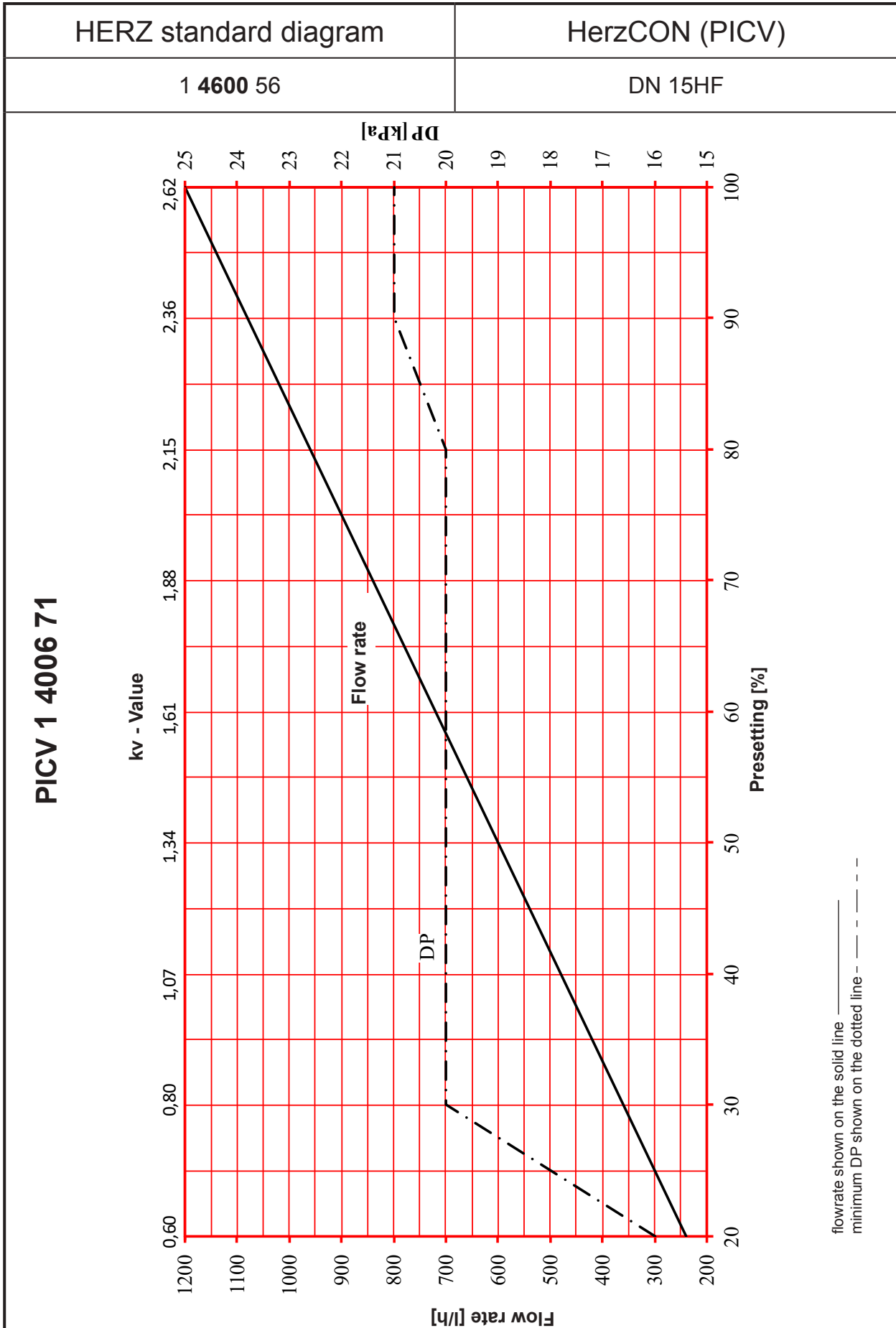
**Please note:** all diagrams are indicative in nature and do not claim to be complete.

All specifications and statements within this document are according to information available at the time of printing and meant for informational purpose only. Herz Armaturen reserves the right to modify and change products as well as its technical specifications and/or its functioning according to technological progress and requirements. It is understood that all images of Herz products are symbolic representations and therefore may visually differ from the actual product. Colours may differ due to printing technology used. In case of any further questions don't hesitate to contact your closest HERZ Branch-office.

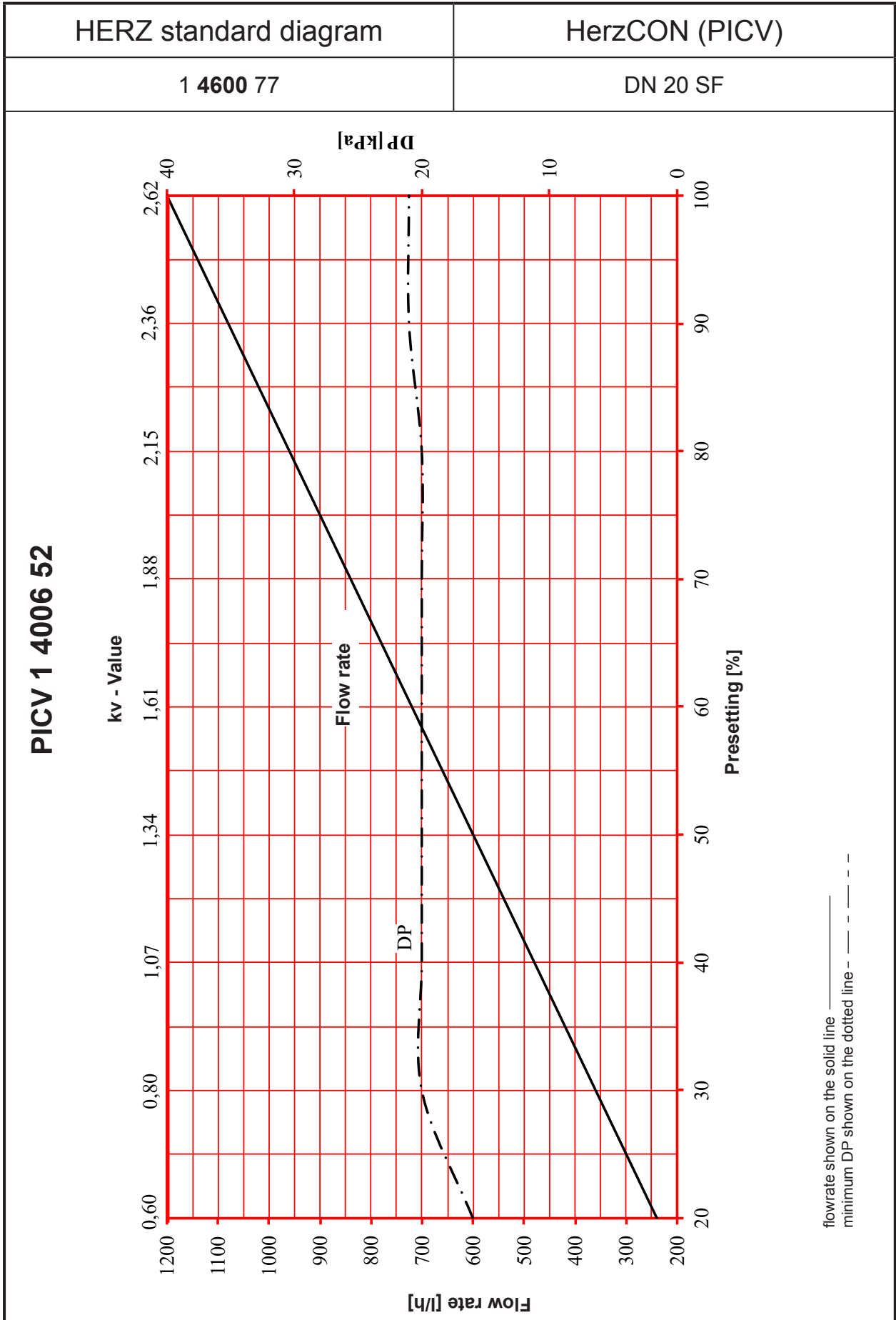


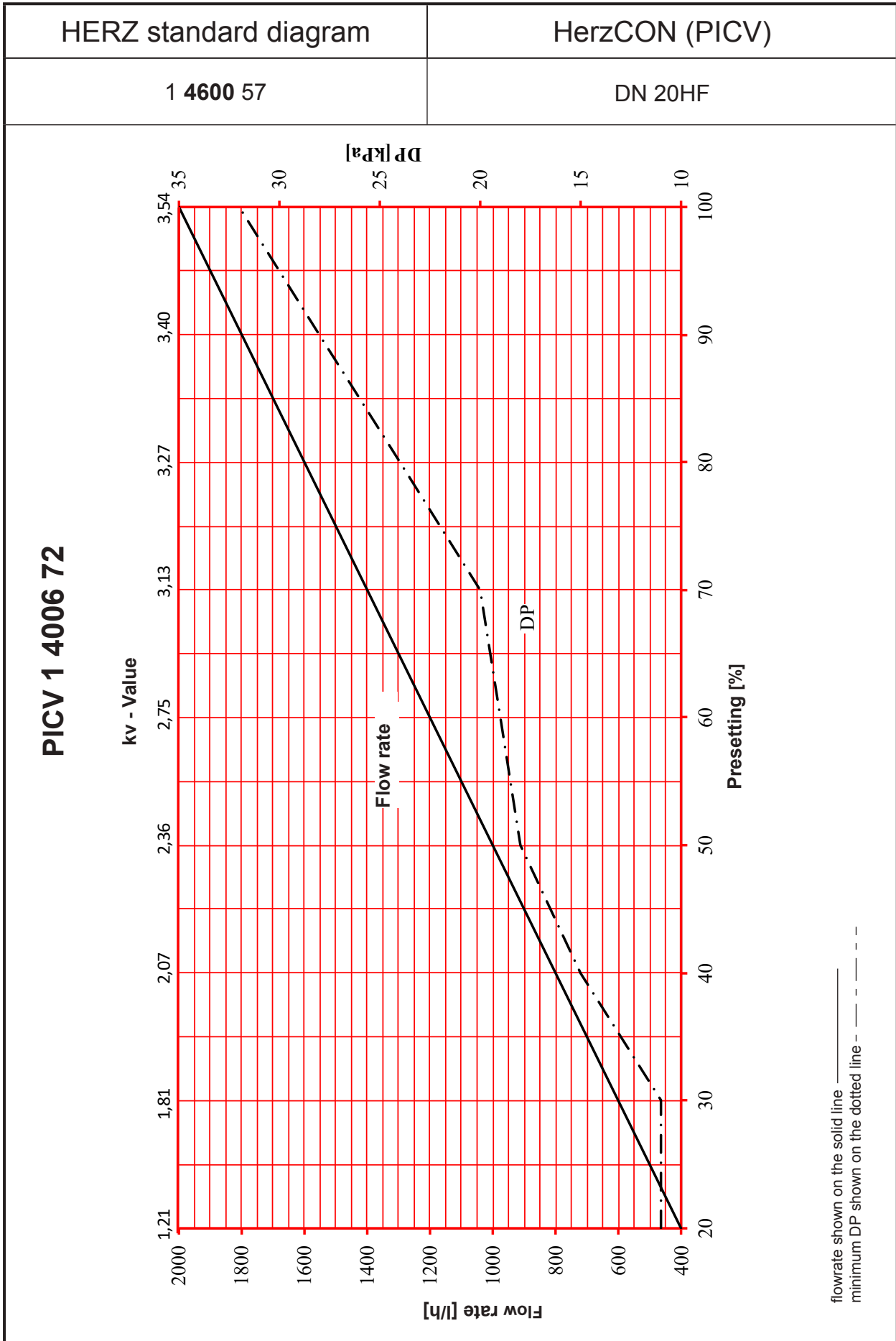












HERZ standard diagram	HerzCON (PICV)
1 4600 58, 1 4700 63, 1 4600 53	DN 25

