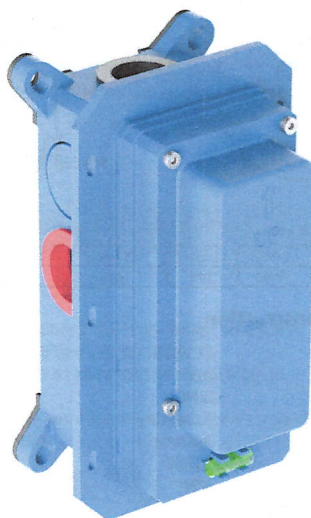
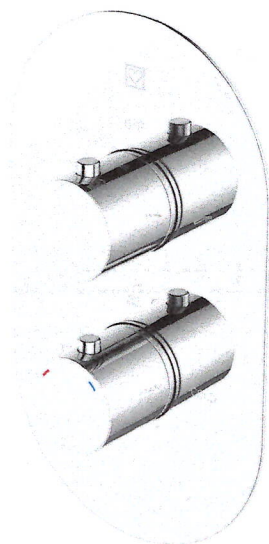


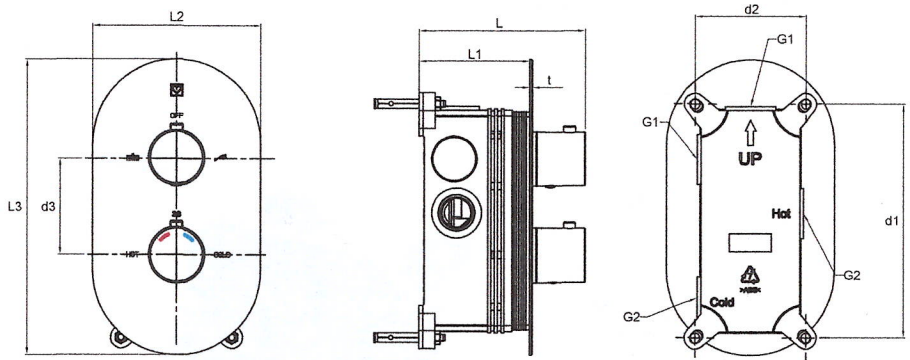
## CONCEALED THERMOSTATIC MIXER with 2 outlets



# UH00399

Instructions for Installation and Operation 

## Dimensions



Order Nr.	L [mm]	L1 [mm]	L2 [mm]	L3 [mm]	d1 [mm]	d2 [mm]	d3 [mm]	t [mm]	G1 [inch]	G2 [inch]
UH00399	139	78-93	140	245	193,7	92	80	2,5	1/2"	3/4"

## Material and construction

Body:	CC757S
Box:	ABS
Handles:	ZINC
Cartridge:	Assembly
Diverter:	Assembly
Front plate:	SS201
O-ring:	NBR
Non-return valve:	Assembly
Stop ring:	SUS304

## Operating data

Operating temperature:	5°C to 80°C
Operatin pressure:	0,5 bar to 6bar
Recommended pressure:	1 bar to 4 bar
Safety block temperature:	38°C
Flow rate:	

	Order Nr.	0.1 bar	0.2 bar	0.3 bar	0.4 bar	0.5 bar	1 bar	2 bar	3 bar	4 bar	5 bar	Remarks
Flow rate (L/min)	UH00399	2,6	5,1	6,7	8	9	13,1	19	23,5	27,2	34,3	Middle water outlet
		3,2	5,3	6,9	8,2	9,2	13,5	19,5	24	27,8	35,7	Right water outlet

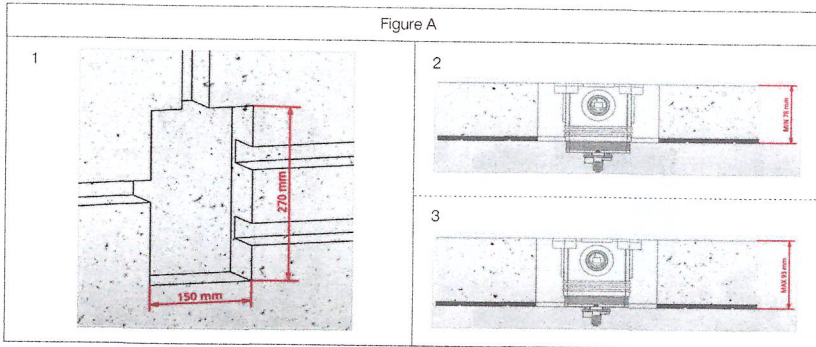
## Assembly instruction

1. First the wall opening has to be prepared:

Width: 150mm

Height: 270mm (Figure A, point 1)

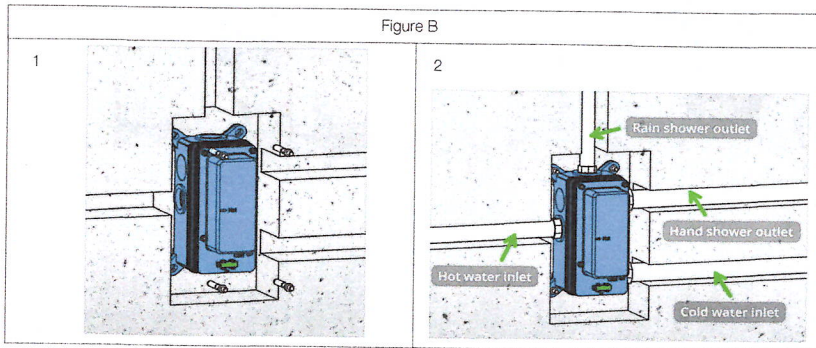
Depth: 78-93mm (together with the tiles) (Figure A, point 2, 3)



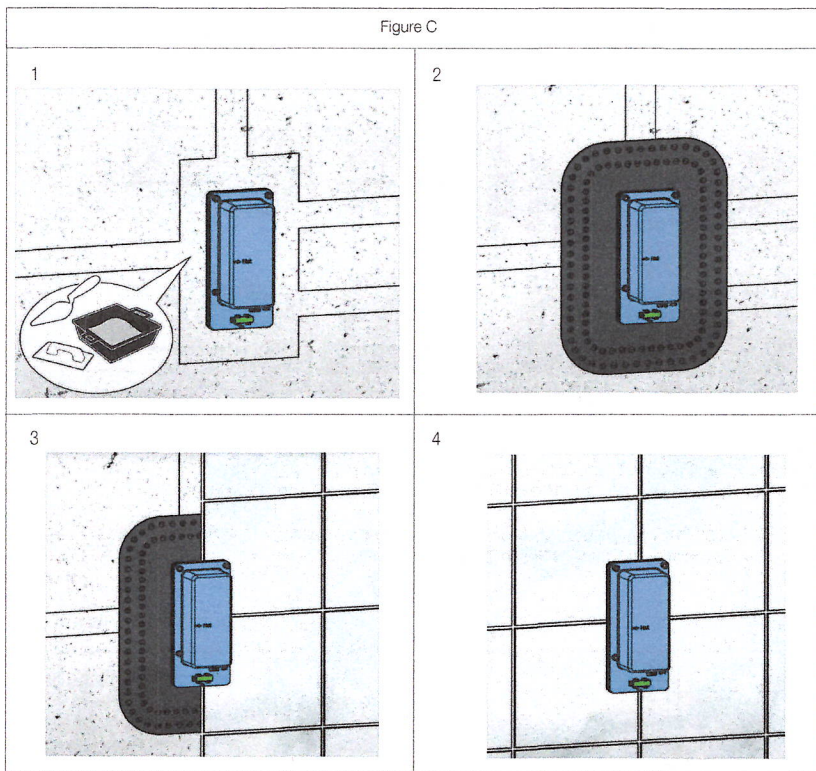
2. Fix the box to wall with expansion screws and spanner. Check the level gauge to ensure horizontal alignment and always keep the arrow upwards (Figure B, point 1).

Before connection, turn on the master valve on the system to eliminate the impurities in the pipes.

Connect all the inlets and outlets pipes. Apply a water pressure no more than 0,5MPa to check all the connections to ensure no leakage (Figure B, point 2).



- 3.
- a. After watertightness test, fill the wall opening with concrete (Figure C, point 1).
  - b. Fit the rubber plate to the box body and attached it to the surface of concrete (Figure C, point 2).
  - c. When putting on tiles, make sure the cutting of tiles to be perfectly matched with the box (Figure C, point 3).
  - d. Pre-installation completed, waiting for installation of front plate and handle (Figure C, point 4).

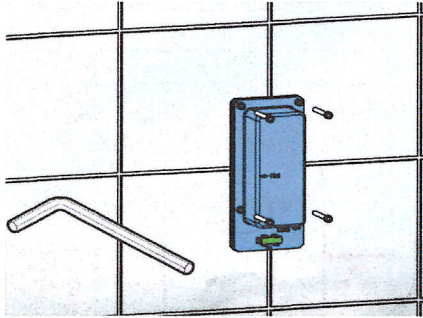




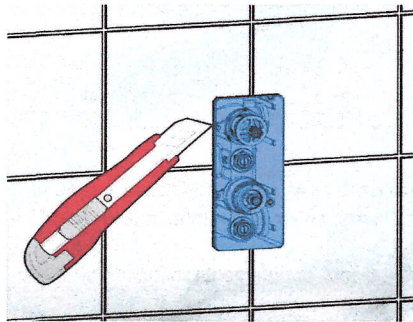
- 4.
- Loose the screws with hex key and then take off the upper cover (Figure D, point 1).
  - Cut the unwanted part of the box with a craft knife, making sure the box is below the tile's surface (Figure D, point 2).
  - Install the front plate. Install parts to the handle, then tighten up the screws on the handle with hex key and insert the rubber plug into the screw hole. Installation complete (Figure D, point 3).

Figure D

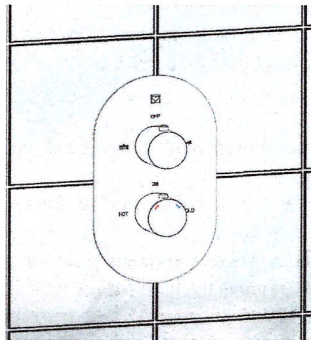
1



2



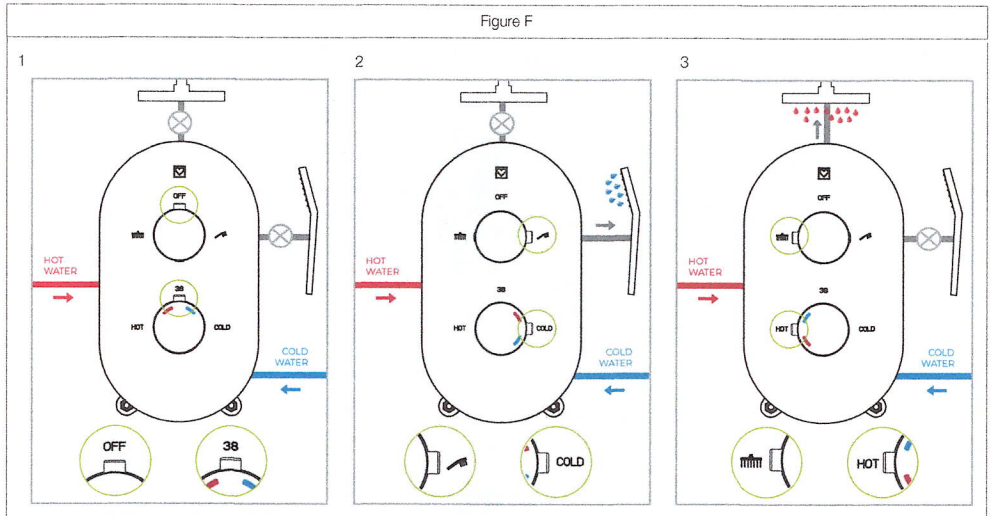
3



## Function principle

Concealed thermostatic mixer can be set in many different positions, because the temperature can be set as desired. Below are three main different positions to show the operation of the mixer:

1. Diverter is set on OFF and thermostat is set on 38 °C (Figure F, point 1).
2. Diverter is set on HAND SHOWER and thermostat is set on COLD water (Figure F, point 2).
3. Diverter is set on RAIN SHOWER and thermostat is set on HOT water (Figure F, point 3).



## MAINTENANCE CONDITIONS

- Tap repairs shall always be performed by an adequately skilled person.
- Clean the tap with non-aggressive detergents (soap water, neutral liquid soap) and polish it by a soft cloth.
- Do not use abrasive or corrosive agents, or detergents containing alcohol or acids, as well as rough or abrasive cloths or sponges.
- DO NOT use wax-based cleaners to clean matte black surfaces. This will leave a glossy, polished look on matte surfaces
- Remains of body care products (liquid soaps, shampoos or shower gels) can cause surface damages, too. Rinse such remains thoroughly with water after use.

## PREPARATION FOR WINTER

- Cleaning of limescale and moving parts of the valve (switch, flexible hose, etc.) can be facilitated by regularly wiping water droplets
- This is particularly important for taps with a matt black surface. The limescale will be more visible on them later and even harder to remove.
- Removing impurities from the pearlator, chokes and choking tubes, filters, meshes (rinse the impurities under a strong water jet, remove the limescale by the use of vinegar);
- Greasing the sealing and moving parts (outflow, switch) by the corresponding Unitas grease

## **WARRANTY CONDITIONS**

In buildings that are not heated during the winter period, and, thus, the temperature can drop below the freezing point (0 °C / 273 K), it is extremely important that the tap is emptied completely as follows:

- with standing taps, close the valves on the inlet pipes, disconnect the connection tubes and open the tap handle so that the water flows out of the armature;
- for wall mounted taps, close the valves on the inlet pipes and remove the tap

## **THE WARRANTY DOES NOT APPLY**

- The manufacturer has determined a 6-years warranty period for the product entered in this warranty certificate.
- The warranty period for black paint on matte black taps is 1 year.
- The warranty period for consumption parts (pearlator, flexible tube, shower) is 2 years.
- The warranty period starts from the day of retail sale of the product, or from the day of the technical approval of the building, respectively.
- The product will operate faultlessly during the warranty period, provided the enclosed instructions are taken into account.
- Should the product not operate properly, our service expert will take care of making good any deficiencies and faults on the products at his expense upon the holder's request during the warranty period. The term expense comprises spare parts necessary for the repair, the work connected to it as well as the product conveyance, or transportation, respectively. The latter cost amount can only be acknowledged in accordance with the valid railway or mail price-list.
- The product will be repaired by the service workshop in no more than 45 days. The warranty period extends for the repair period. Should the repair not be performed within the above stated period, the manufacturer will replace the product with a new one upon your request.
- The manufacturer will provide for spare parts and repair services for at least 3 years after the end of the warranty period. Should this not be the case, the valid invoice shall be presented obligatorily.
- When putting warranty into force, the confirmed warranty certificate or invoice shall be presented. A non-confirmed warranty certificate can only be accepted when accompanied by a corresponding invoice.

## **NOTE**

- for damages and defects caused by mechanical blows under the customer's responsibility;
- for damages and faults resulting from unskilled and careless handling of the product,
- if the customer does not take into account the conditions stated in the enclosed instructions for the product installation, operation and maintenance,
- in case that an inexperienced person has manipulated the product, or non-original parts have been installed in it.

## **DISPOSAL INSTRUCTIONS**

The disposal of the HERZ concealed thermostatic mixer must not endanger the health or the environment. National legal regulations for proper disposal have to be followed.

CERTIFICATION	
DATE	
ARTICLE	
STAMP AND SIGNATURE	
10 23. 02. 2022	



Herz d.o.o.  
Grmaška cesta 3, 1275 Šmartno pri Litiji  
e-mail: [info@herz.si](mailto:info@herz.si), [www.herz.si](http://www.herz.si)

Herz Armaturen GmbH  
Richard Strauss Straße 22, A-1230 Wien  
e-mail: [office@herz.eu](mailto:office@herz.eu), [www.herz.eu](http://www.herz.eu)